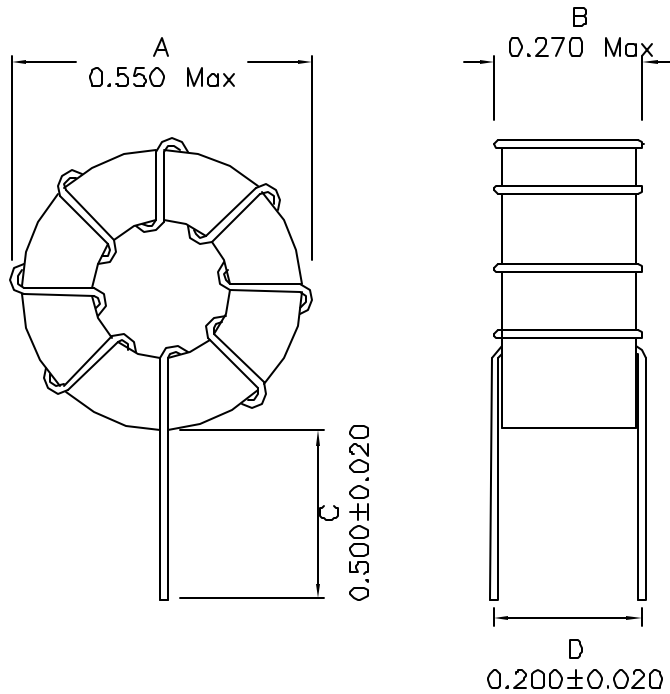


1. Mechanical Dimensions:



2. Schematic:



3. Electrical Specifications: @25°C

OCL: 5.33uH±15% @10KHz 0.1V

OCL: 2.5uH Typical @10KHz 0.1V 10ADC

DC Resistance: 0.010 Ohms Maximum

CALCULATED TEMP RISE: 40°C (Continuous Full Load)

6. TIN TO MOUNT PLAIN
VARNISH REQUIRED
NO MARKINGS REQUIRED

Notes:

1. Solderability: Leads shall meet MIL-STD-202C, Method 208H for solderability.
2. Flammability: UL94V-0
3. ASTM oxygen index: > 28%
4. Insulation System: Class F 155°C. UL file E151556
5. Operating Temperature Range: All listed parameters are to be within tolerance from -40°C to +85°C
6. Storage Temperature Range: -55°C to +125°C
7. Aqueous wash compatible
8. Electrical and mechanical specifications 100% tested
9. RoHS Compliant Component

DOC. REV. 00/4

XFMRs Inc www.XFMRS.com		Title: TOROIDAL INDUCTOR	
UNLESS OTHERWISE SPECIFIED TOLERANCES: .xxx ±0.010 Dimensions in INCH		P/N: XF0036-V02	REV. 00
SHEET 1 OF 1		DWN. 李小锋	Oct-05-06
		CHK. 廖玉坤	Oct-05-06
		APP. MS	Oct-05-06